

L341

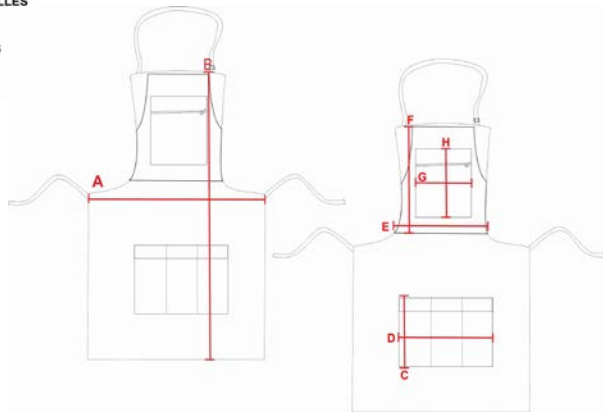
SCHEDA MISURE PRODOTTO

SIZE CHART

TABLEAU GUIDE DES TAILLES

TABLA GUÍA DE TALLAS

MASSTABELLE



CM

TAGLIA UNICA	A	B
FRONTE	63	71
	C	D
TASCONE FRONTALE	22	50
	G	H
TASCA PETTO CON ZIP	26	22
	E	F
TASCA PETTO	55	28

LE MISURE HANNO UNA TOLLERANZA DEL +/- 5%
RESTRINGIMENTO MASSIMO AL LAVAGGIO 5%

CM

ONE SIZE	A	B
FRONT	63	71
	C	D
FRONT MULTI POCKET	22	50
	G	H
CHEST ZIP POCKET	26	22
	E	F
CHEST POCKET	55	28

MEASURES HAVE A +/- 5% TOLERANCE
MAXIMUM SHRINKAGE AFTER WASHING 5%

INCH

ONE SIZE	A	B
FRONT	24	27
	C	D
FRONT MULTI POCKET	8	19
	G	H
CHEST ZIP POCKET	10	8
	E	F
CHEST POCKET	21	11

MEASURES HAVE A +/- 5% TOLERANCE
MAXIMUM SHRINKAGE AFTER WASHING 5%