

L226



SCHEDA MISURE PRODOTTO



SIZE CHART



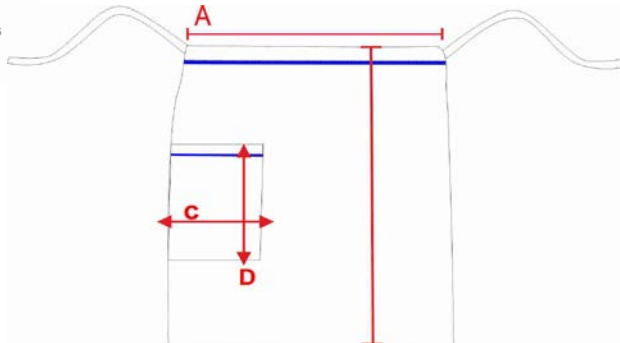
TABEAU GUIDE DES TAILLES



TABLA GUÍA DE TALLAS



MASSTABELLE



CM

TAGLIA UNICA	A	B
FRONTE	76	46

	C	D
TASCA LATERALE	20	22

LE MISURE HANNO UNA TOLLERANZA DEL +/- 5%  
RESTRINGIMENTO MASSIMO AL LAVAGGIO 5%

CM

ONE SIZE	A	B
FRONT	76	46

	C	D
SIDE POCKET	20	22

MEASURES HAVE A +/- 5% TOLERANCE  
MAXIMUM SHRINKAGE AFTER WASHING 5%

INCH

ONE SIZE	A	B
FRONT	29	18

	C	D
SIDE POCKET	7	8

MEASURES HAVE A +/- 5% TOLERANCE  
MAXIMUM SHRINKAGE AFTER WASHING 5%